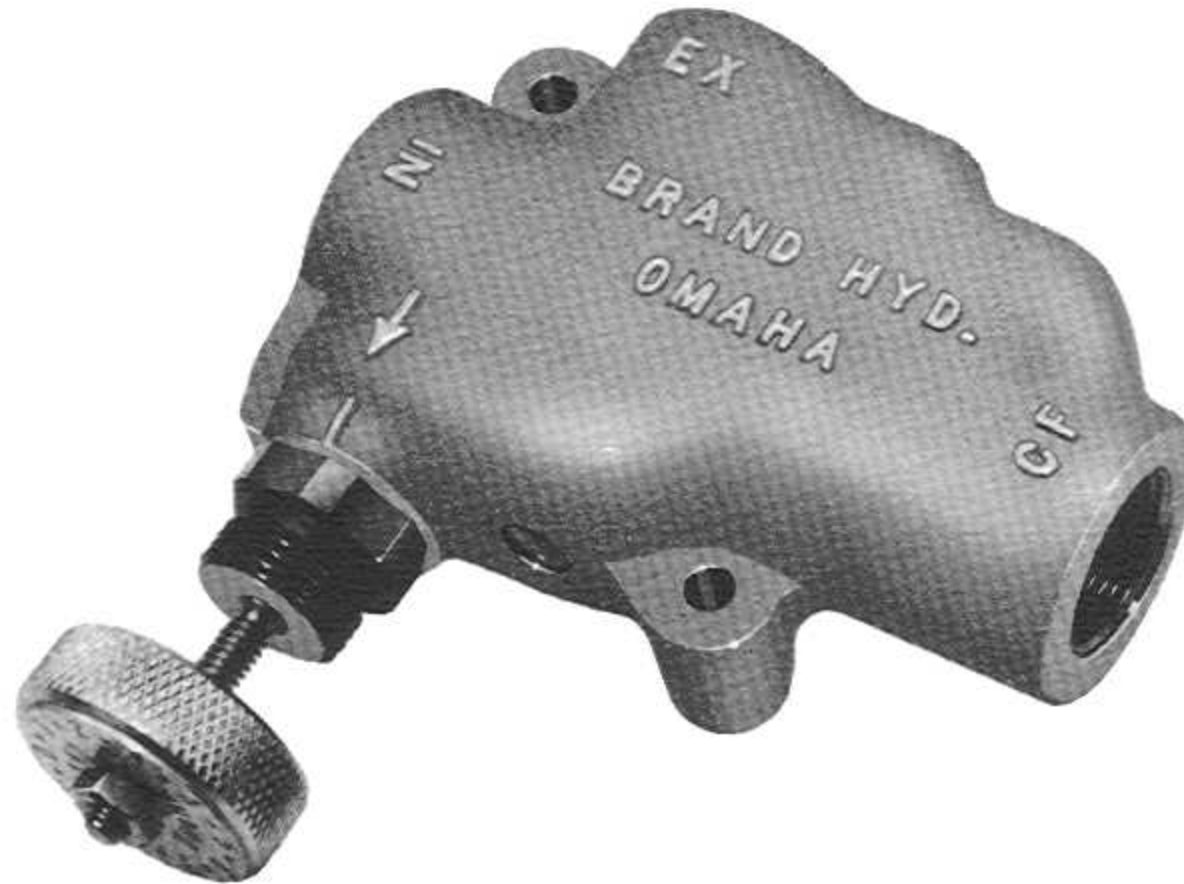


## Priority Flow Control Series 95



**Approximate size:** 4<sup>9</sup>/<sub>16</sub>" x 5<sup>1</sup>/<sub>8</sub>" x 1<sup>3</sup>/<sub>4</sub>"

**Weight:** 3<sup>1</sup>/<sub>2</sub> lbs.

**Flow rate:** 0.2–20 gpm

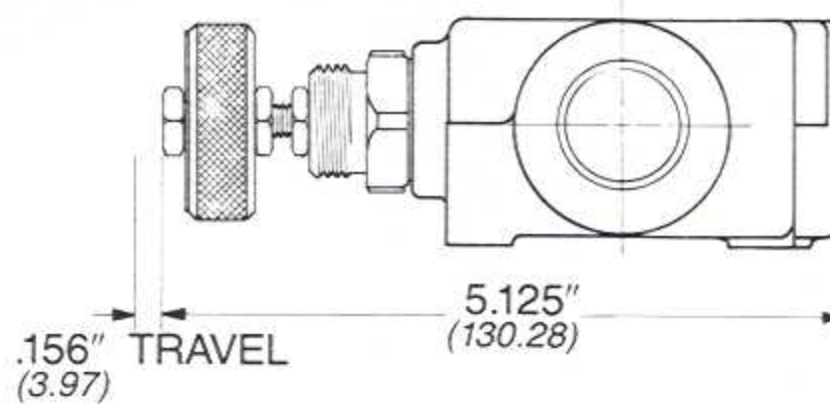
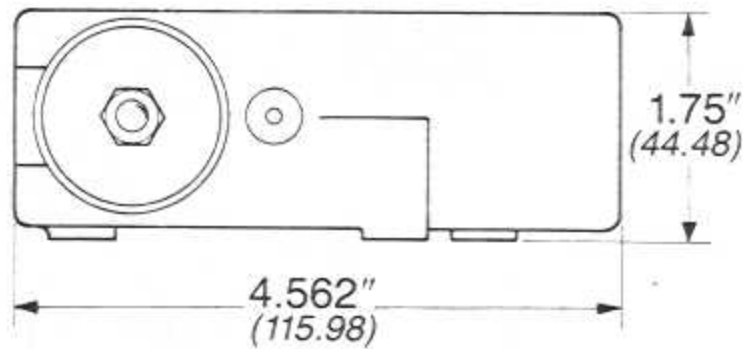
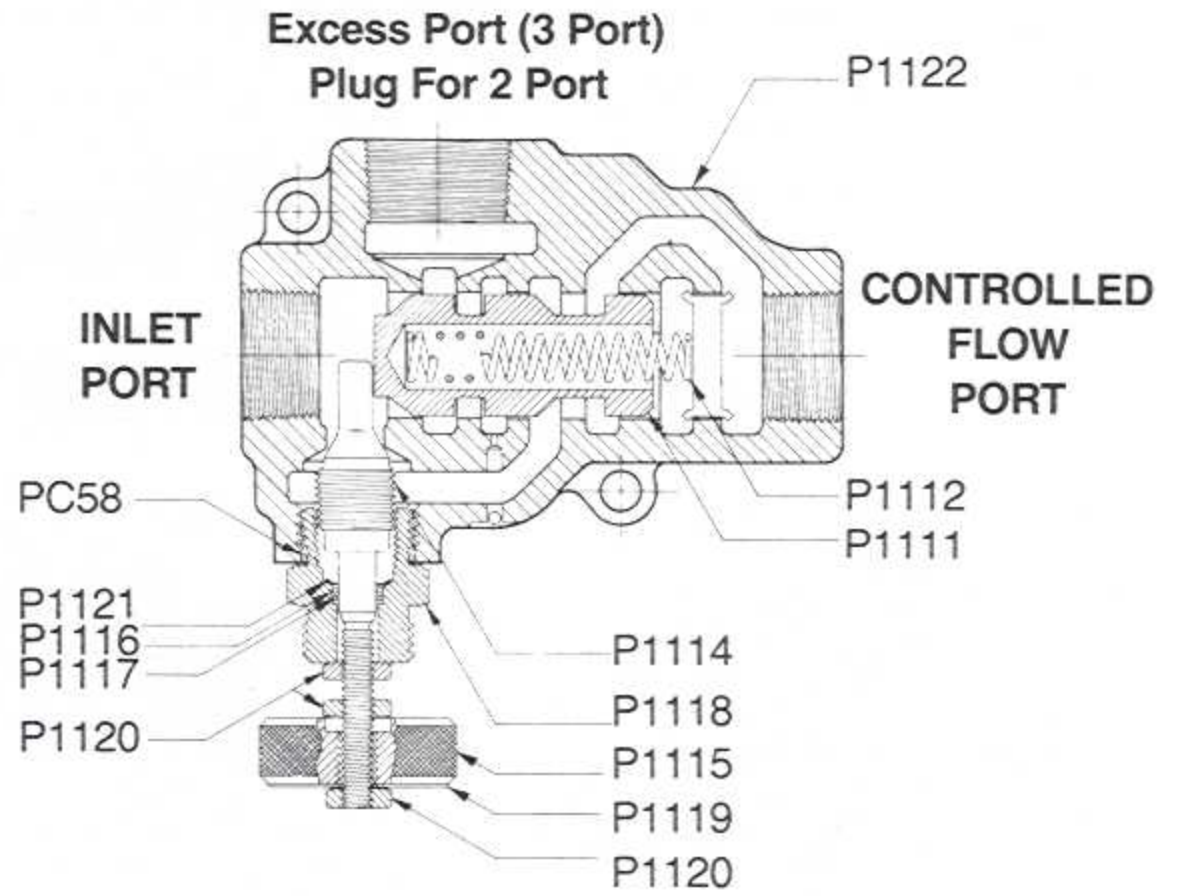
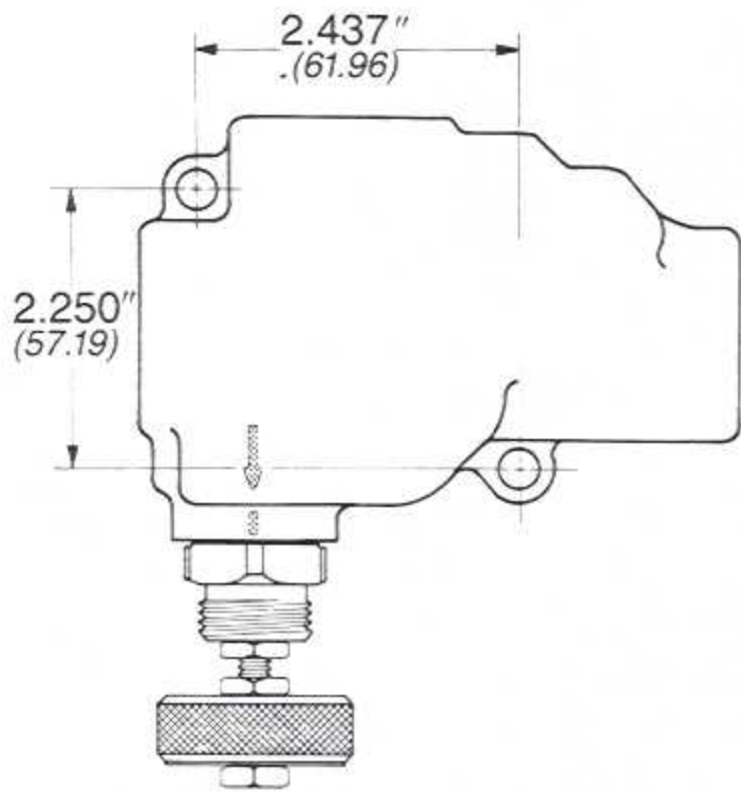
**Pressure:** 3000 psi

**Port size:** 3/4" NPT

Our = **BRAND** = **New Series 95 Inline Flow Control** is an adjustable full range pressure compensated valve. Turning the adjusting knob varies the orifice size, which varies the flow out the CF "Controlled Flow" port. Flow out the CF port is a priority flow and is determined by the orifice size. It can be opened for full flow or closed by turning the adjusting knob. The controlled flow is smooth and constant regardless of the pressure or load change.

When used as a three-port valve both outlet ports are pressure compensated. The valve can be converted to two-port inline pressure compensated flow control by plugging the Excess port.

The **Series 95 Inline Valve** features low cost, compact size and panel mounting. The valve is ideal for starting, stopping and controlling the speed of your hydraulic components. It is rated to 20 GPM and to 3000 PSI. For satisfactory operation, we recommend 30 micron filtration or better.



(mm)

**Note:**  
Casting Not Sold Without Spool.  
Replace With New Valve.

### Parts List

P.N.	Description	P.N.	Description	P.N.	Description
P1111	Metering Spool	P1116	"O" Ring 2-011	P1120	Jam Nut 1/4-20
P1112	Spring	P1117	Parback 8-011	P1121	Retainer Ring 6000-56ST
P1114	Adjusting Screw	P1118	Plug Adjusting Screw	P1122	Casting
P1115	Knob Adjusting Screw	P1119	Indicator Disc	PC58	"O" Ring 3-910

**Series 95  
Flow Control Valve**

**BRAND**  
HYDRAULICS

2332 SOUTH 25TH STREET OMAHA, NEBRASKA 68105  
PHONE (402) 344-4434 FAX (402) 341-5419